

**MARK BOILERS - ANNEXE C:
FLUE & INLET**

0660493

I DOP (déclaration des performances)

1.1 Normal

Tous les éléments (conduit de fumée et air) doivent être installés avec les DOP correspondants

Les dernières versions de ces DOP sont disponibles sur le site M&G: <https://www.mg-flues.com> - Centre de téléchargement: Certifications

1.2 EcoFlex

Pour l'aluminium:

0,1 (Dn 60-250) (rigide, simple) (conduit fumée) T200 PI WV I L10 / 11/13 150 030

Pour PP:

0,8 (Dn 200), (rigide, simple) (conduit fumée) T120 PI W I / 2030 LI E U

1.3 PowerFlex

Pour l'aluminium:

0,1 (Dn 60-250) (rigide, simple) (conduit fumée) T200 PI WV I L10 / 11/13 150 030

1.4 MegaFlex

Pour l'aluminium:

0,1 (Dn 60-250) (rigide, simple) (conduit fumée) T200 PI WV I L10 / 11/13 150 030

1.5 Aluminium



DECLARATION OF PERFORMANCE

N° 001-MG-ALU DoP

1. Unique identification code of the product-type:

M&G System Chimneys with Aluminum flue liner

EN 1856-1: 2009

Aluminum sections, fittings, and terminals

0.1	(Dn 60-250*)	(rigid, single)	(flue)	T200	P1	W	V1	L10/11/13 150	O30
0.2	(Dn 60-150)	(rigid, single)	(flue)	T250	P1	W	V1	L10/11/13 150	O40
0.4	(Dn 60/100-130/200)	(rigid, conc.)	(flue/air)	T200	P1	W	V1	L10/11/13 150	O00
0.4a	(Dn 60/100-100/150, IA)	(rigid, conc.)	(flue/air)	T200	P1	W	V1	L10/11/13 150	O00
0.5	(Dn 60/100-130/200)	(rigid, conc.)	(flue/air)	T250	P1	W	V1	L10/11/13 150	O00
0.6	(Dn 70-150)	(rigid, single)	(flue)	T250	P1	D	Vm	L11070	O40
0.7	(Dn 70-200; NEN 7203)	(rigid, single)	(flue)	T250	N1	D	Vm	L11045/063	O40
0.8	(Dn 250-400)	(rigid, single)	(flue)	T250	N1	D	Vm	L11045/063	O40
T.1	(Terminal Dn 60/100-100/150)	(roof, wall)	(flue/air)	T120	P1	W	V1	L13 150	O00
T.2	(Terminal Dn 80-80)	(roof)	(flue/air)	T120	P1	W	V1	L13 150	O30
A.1	(Dn 60/100-100/150)	(rigid, conc.)	(flue/air)	T200	P1	W	V1	L13 150	O00

*Only several parts, no complete system

Plus manufacturer's batch or date code: see product marking

2. Intended use/es:

Products for the construction of single wall or concentric system chimneys to convey the products of combustion from heating appliances to the outside atmosphere. Systems 0.4, 0.4a, 0.5, T.1, T.2 and A.1 are also suitable to supply combustion air from the outside.

3. Manufacturer:

MUELINK & GROU B.V.
P.O. Box 509
9700 AM Groningen, the Netherlands
E: info@mg-flues.com

Burgerhout B.V.
P.O. Box 77
9400 AB Assen, the Netherlands
E: info@burgerhout.nl

4. Authorized representative:

Not applicable.

5. System/s AVCP:

System 2+.

6. Harmonized standard:

Notified factory production control certification body No 0476 performed the initial inspection of the manufacturing plant and of factory production control and the continuous surveillance, assessment and evaluation of factory production control and issued the certificate of conformity of the factory production control.

7. Declared performance

	Essential Characteristics	Performance	Harmonized technical specification
1	Compressive strength		EN 1856-1:2009
	System 0.1, 0.2, 0.4, 0.5, 0.6, 0.7 and 0.8	Maximum height 24 m when using a support bend, unlimited if wall brackets are used every 2 m.	
	System 0.4a	Maximum height 10 m.	
	System T.1, T.2	Not applicable.	
	System A.1	Maximum 2 m.	
2	Resistance to fire (tested fully enclosed with ventilated gap if applicable)		
	System 0.1	T200 O30	
	System 0.2, 0.6, 0.7 and 0.8	T250 O40	
	System 0.4, 0.4a and A.1	T200 O00	
	System 0.5	T250 O00	
	System T.1	T120 O00	
	System T.2	T120 O30	
3	Gas tightness		
	System 0.1, 0.2, 0.4, 0.4a, 0.5, 0.6, T1, T.2 and A.1	P1	
	System 0.7 and 0.8	N1	
4	Flow resistance	Flow resistances acc. to EN 13384-1, see datasheet.	
5	Thermal resistance	0.00 m ² K/W	
6	Thermal shock resistance	No	
7	Flexural tensile strength		
	Non-vertical installation		
	Systems 0.1, 0.2, 0.4, 0.4a, 0.5, 0.6, 0.7 en 0.8	The maximum deflection is 87°. The maximum length of the horizontal part is not limited. One wall bracket should be used per chimney section and every 2 m.	
	System T.1, T.2	For vertical (roof) terminals: not applicable, wall terminals, see instructions.	
	System A.1	Not applicable, only for vertical installation.	
	Wind load for external installation		
	System 0.4, 0.5, T1, T.2 and terminal accessories of system 0.7	Unlimited, brackets should be used per chimney section, see instructions. Free height above last bracket 2 m.	
	System 0.4a	Unlimited, brackets should be used per chimney section, see instructions. Free height above last bracket 1 m.	
	System 0.1, 0.2, 0.6, 0.7 and 0.8	Not applicable, only indoor application.	
	System A.1	Only in combination with corresponding metal outer wall. Maximum height 2 m, use guy-wires for lengths above 1 m.	
8	Resistance against condensation, water vapor diffusion and condensate penetration		
	System 0.1, 0.2, 0.4, 0.4a, 0.5, T.1, T.2 and A.1	Yes	
	System 0.6, 0.7 and 0.8	No	
9	Durability against corrosion		
	System 0.1, 0.2, 0.4, 0.4a, 0.5, T.1, T.2 and A.1	V1	
	System 0.6, 0.7 and 0.8	Vm	
10	Durability against rainwater		
	System 0.4, 0.5, T.1, T.2 and A.1	Yes, system 0.4 and 0.5 only with additional sealant, see instructions. System A.1 only with corresponding metal outer wall.	
	System 0.1, 0.2, 0.4a, 0.6, 0.7 and 0.8	No, only indoor application.	
11	Freeze-thaw resistance	Yes	
12	Dangerous substances	Does not contain dangerous substances.	Relevant national regulations

The performance of the product identified above is in conformity with the set of declared performance/s. This declaration of performance is issued, in accordance with Regulation (EU) No 305/2011, under the sole responsibility of the manufacturer identified above.

Signed for and on behalf of the manufacturer by:

Gezienus Hoving | Manufacturing Manager M&G Group Europe



Groningen (NL), 1 December 2018

DESCRIPTION DU SYSTÈME ET DU PRODUIT

Application système à paroi simple adapté à l'élimination des gaz de combustion et alimentation en air de combustion pour appareils de type B et C.

Diamètre nominal des fumées	80, 100, 130, 150	60, 70, 80, 100, 110, 130, 150, 180, 200, 250	80, 100, 130, 150
Résistance à la chaleur	0 m ² K/W		
La chute de pression	Voir les réglementations nationales ou les détails du fabricant de la chaudière		
Poids	contacter le fabricant		
matériau / épaisseur de paroi sortie des fumées	AL / 0,7 mm	AL / 1,5 mm	INOX / 0,4 mm
marquage CE	EN 1856-I	EN 1856-I	EN 1856-I
	0.6 T250 PI D VM L1 1070 0(40)	0.1 T200 PI WVI L10/11/13/150 0(30) 0.2 T250 PI WVI L10/11/13/150 0(40)	0.1 T250 PI WV2 L50040 0(50)
DoP nr.	001-MG-Alu DoP	001-MG-Alu DoP	001-MG-RVS-DoP
Classification Marquage CE			
Norm.	EN 1856-I	EN 1856-I	EN 1856-I
Classe de température: T maximum en °C	250	200,250	250
Classe de pression: maximum	PI	PI	PI
Résistance à la corrosion	D	W	W
Classe de corrosion	VM	V1	V2
distance des matières inflammables: 0(xx) xx in mm	40	30,40	50
Force du vent	Non applicable, uniquement application intérieure		
Résistance à la compression	Hauteur maximale 24 m lors de l'utilisation d'un coude de support, illimité lors de l'utilisation de supports muraux tous les 2 m		
Résistance à la flexion	Seulement 2 m si support mural est utilisé par profil de cheminée et tous les 2 m		
Substances dangereuses	N/A		

Attention: Une application supplémentaire doit être vérifiée auprès du fabricant.

GÉNÉRAL

- Stockez le matériel à l'intérieur.
- Vérifiez les composants pour d'éventuels dommages.
- Combinez uniquement avec les composants des membres du groupe M&G.
- Installer conformément aux réglementations nationales.

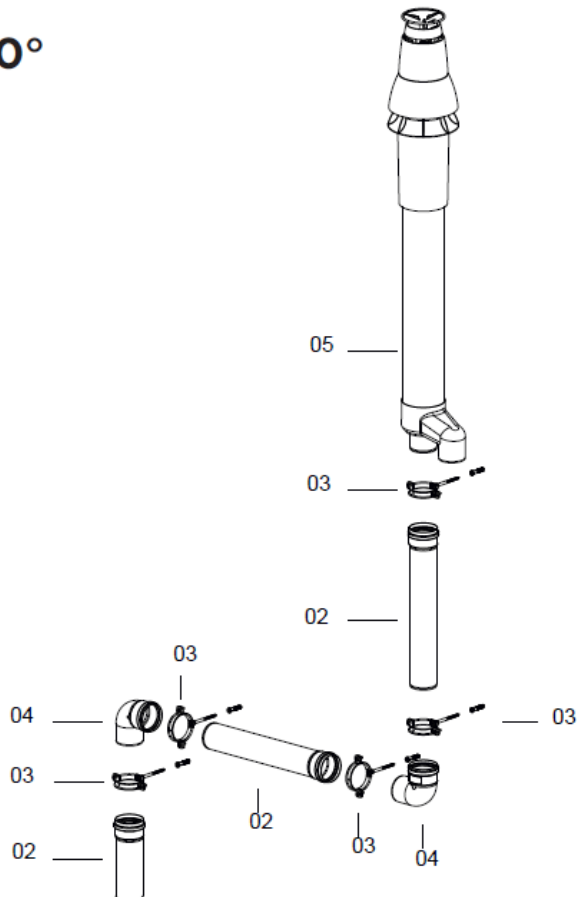
Remplissez l'étiquette de cheminée en option et placez-le à côté du raccordement de cheminée de l'unité.

NETTOYER

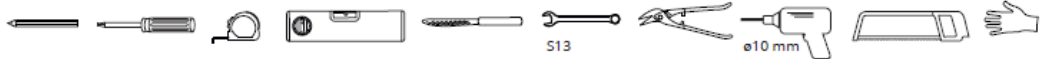
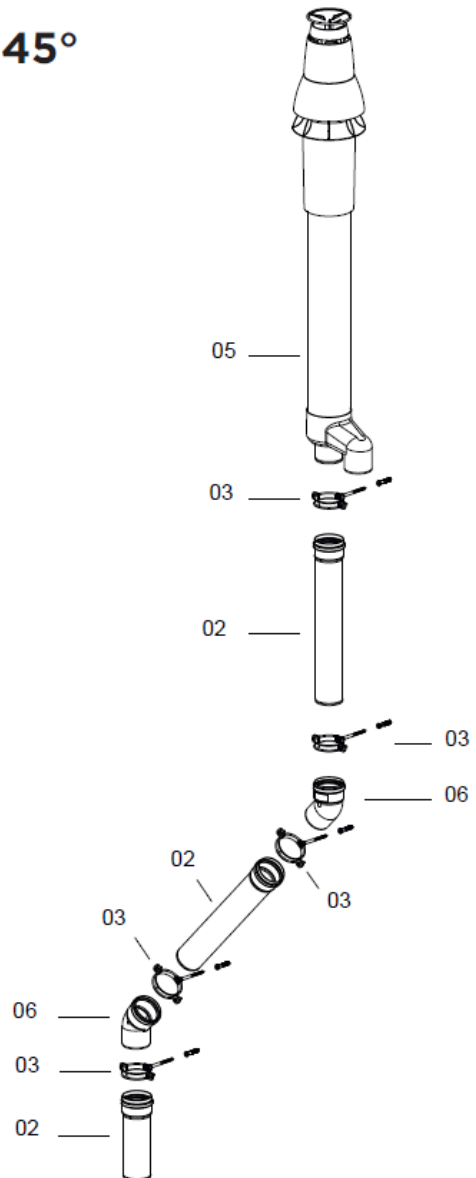
Enlevez la saleté de l'extérieur avec un chiffon imbibé d'eau et si nécessaire un peu de détergent. Nous nous réservons le droit de corriger les erreurs d'impression ou apporter des modifications techniques. En cas de doute, consultez toujours le service commercial pour obtenir des conseils.

90° & 45°

90°

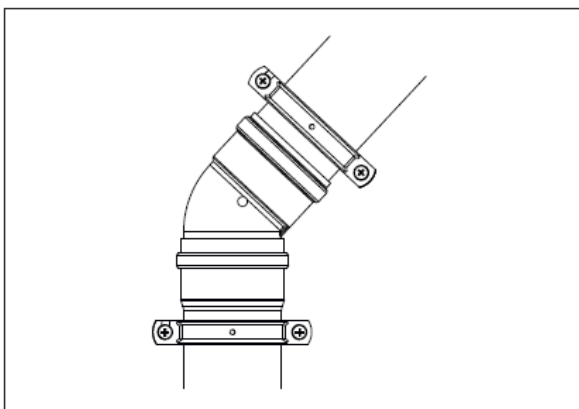
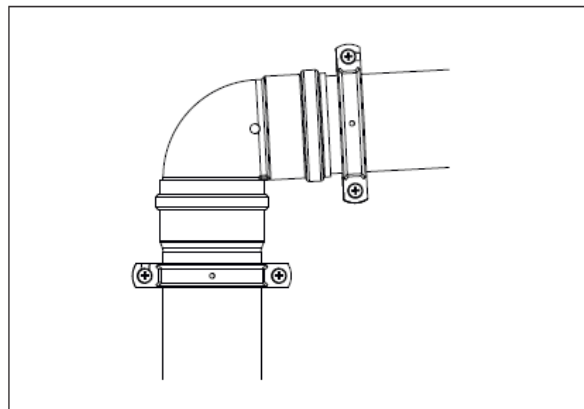
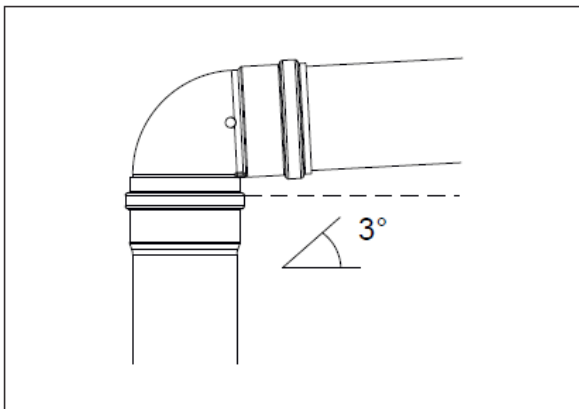
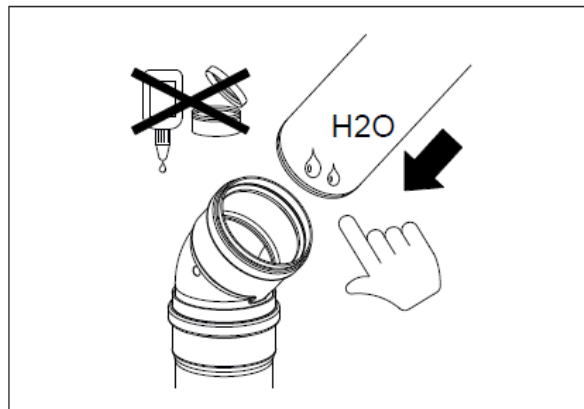
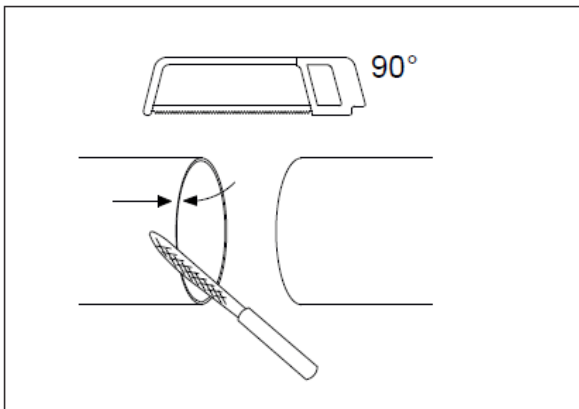
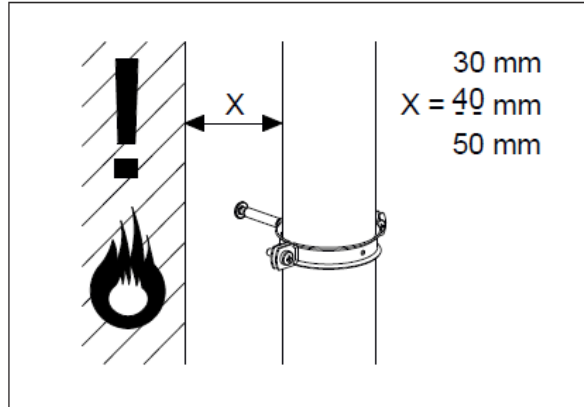
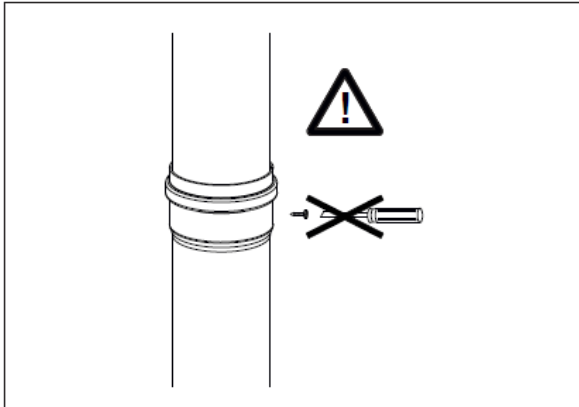


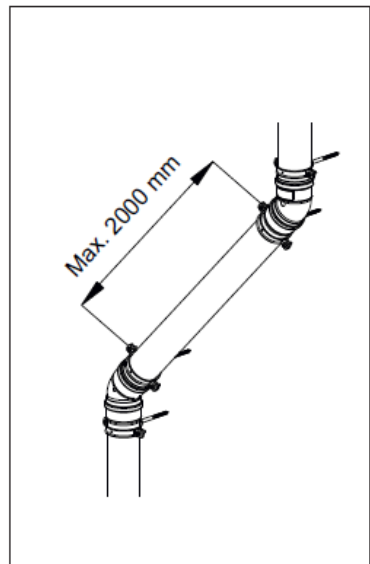
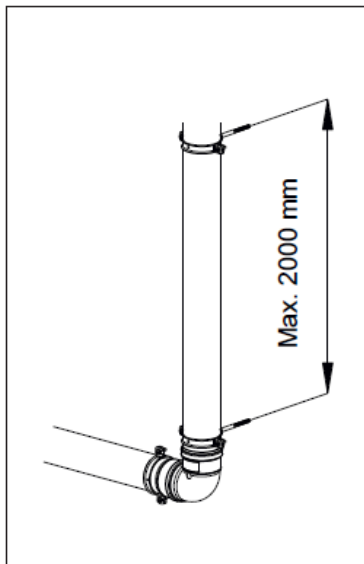
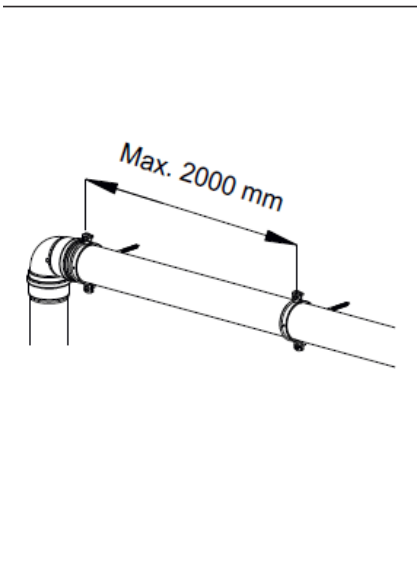
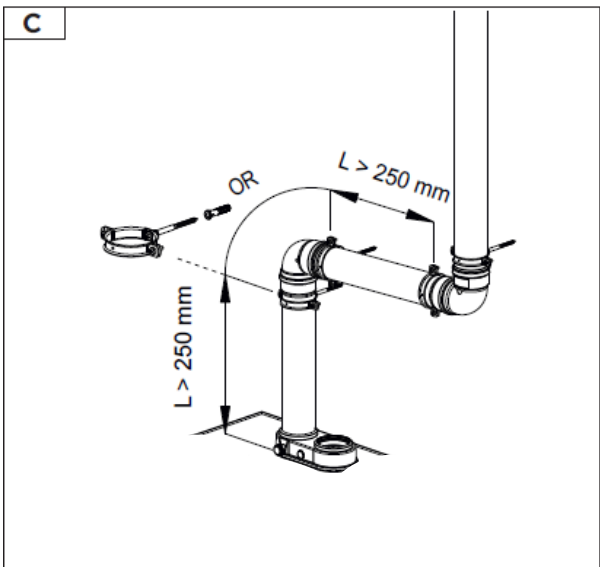
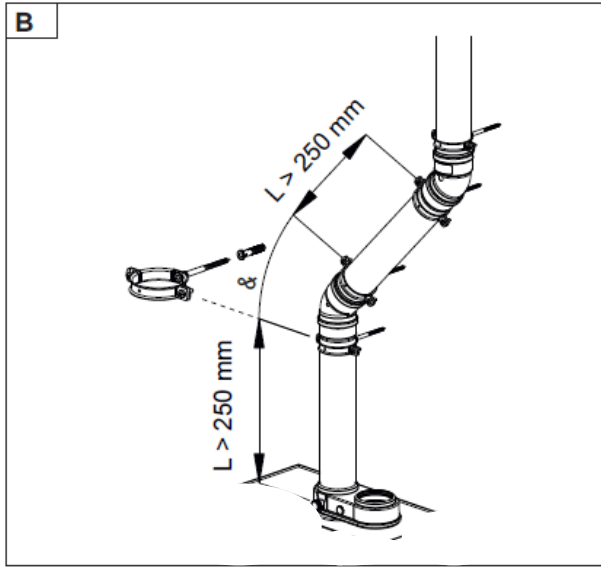
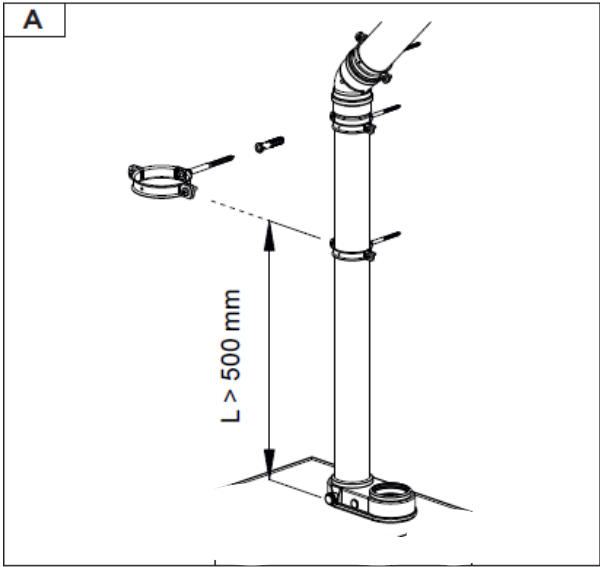
45°

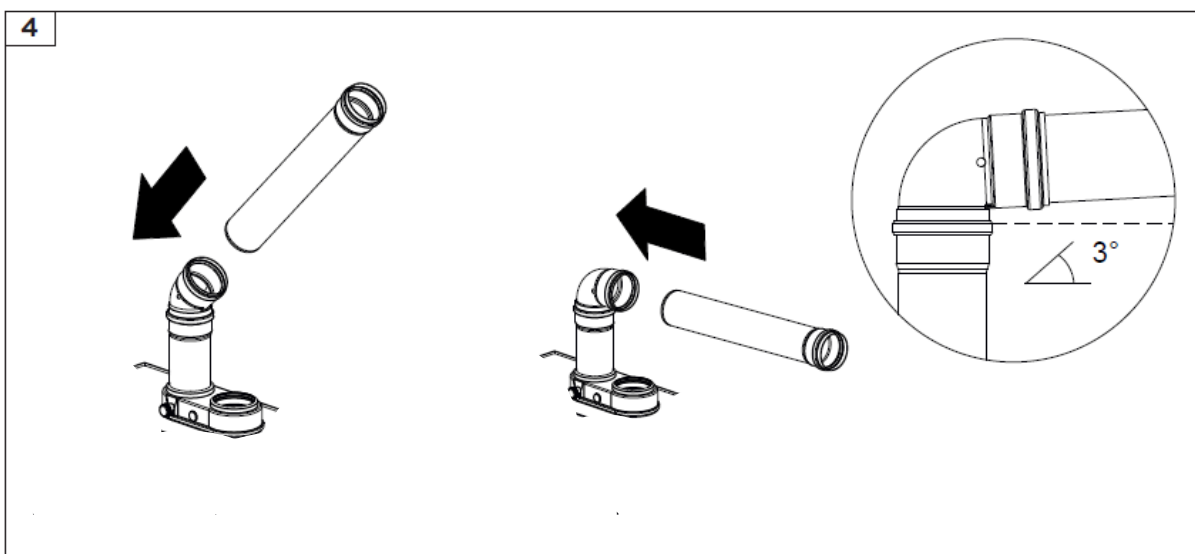
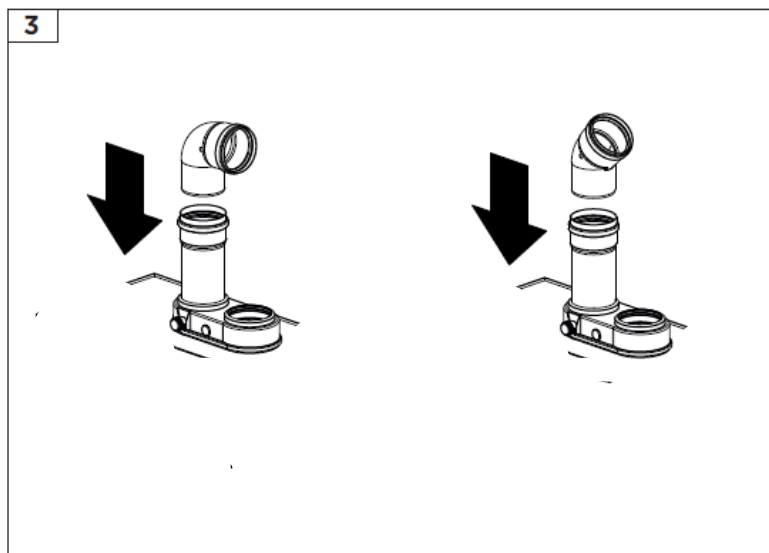
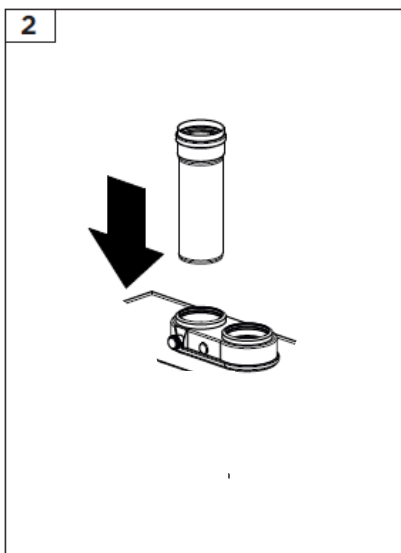
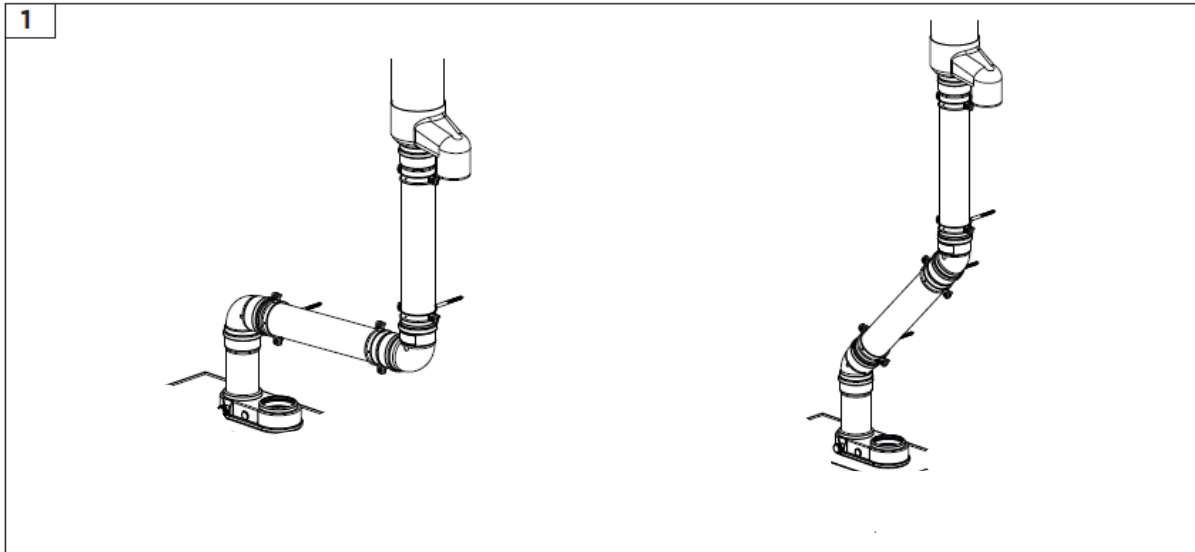


S13

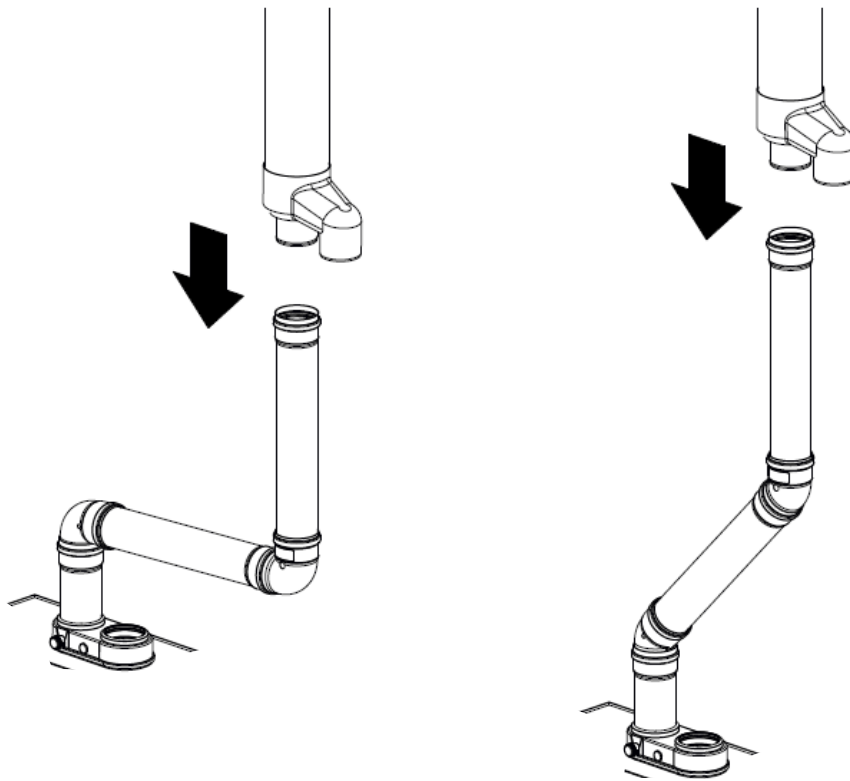
ø10 mm



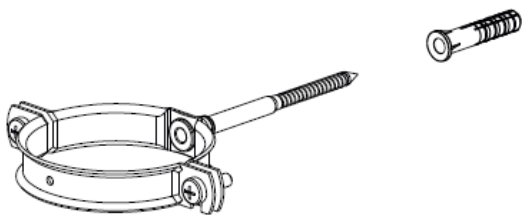




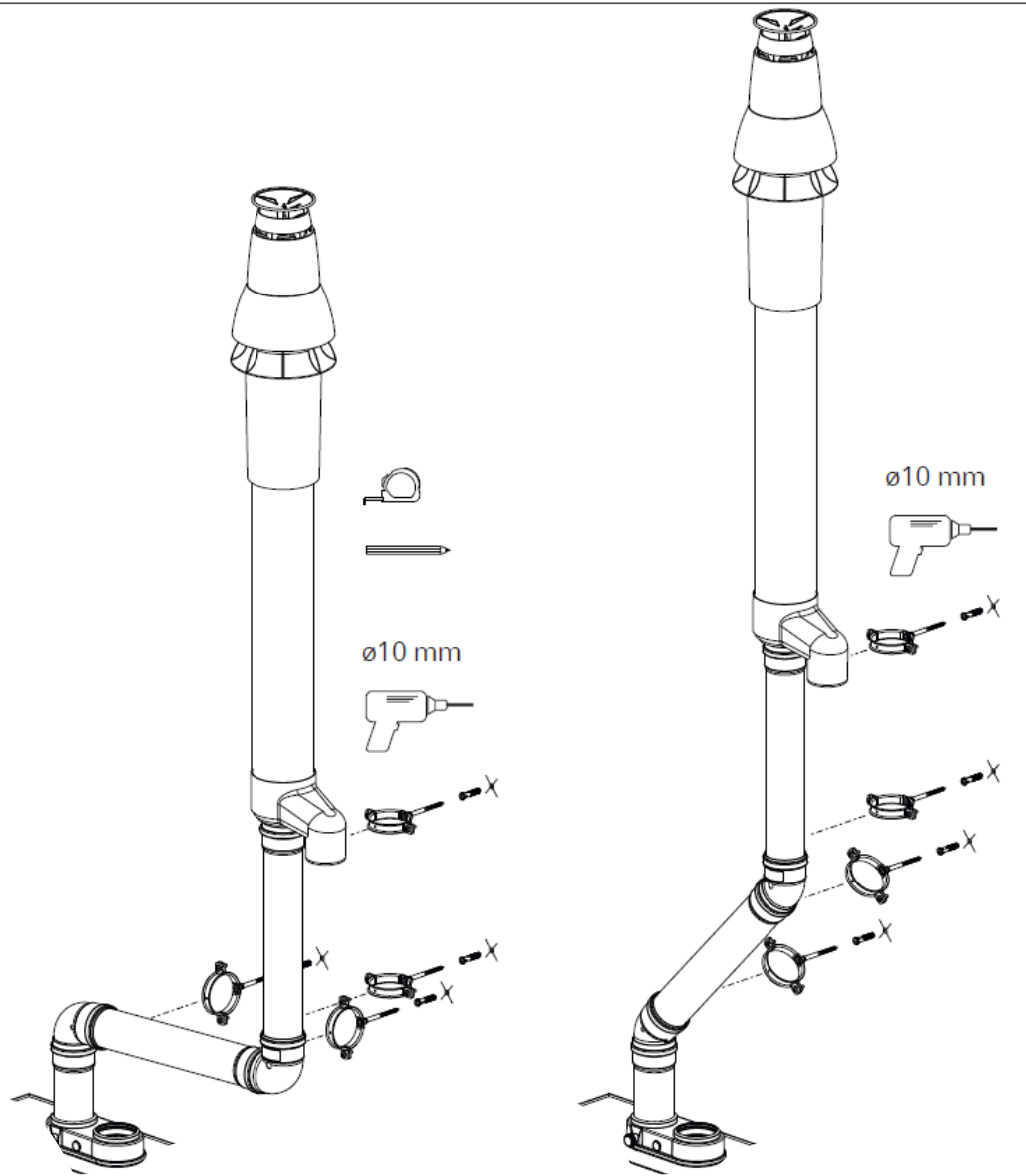
5



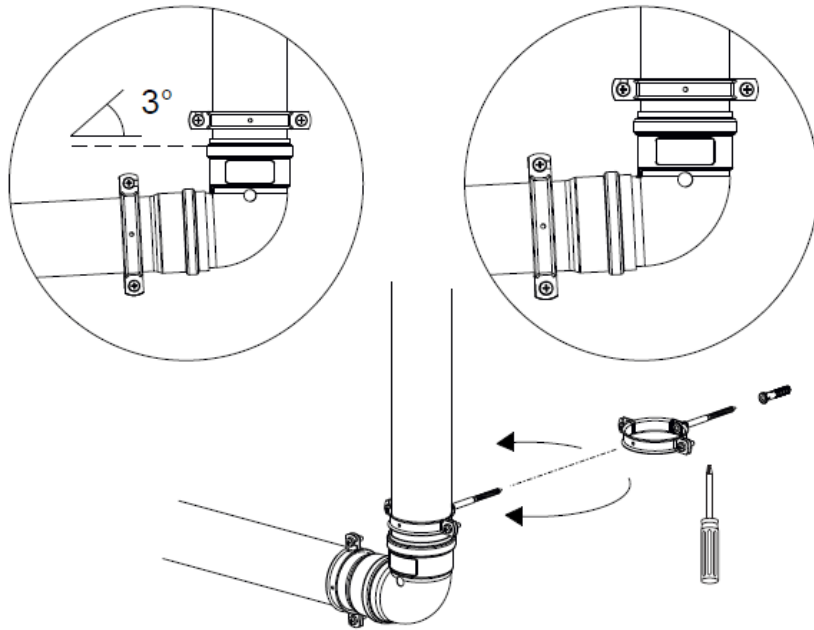
6



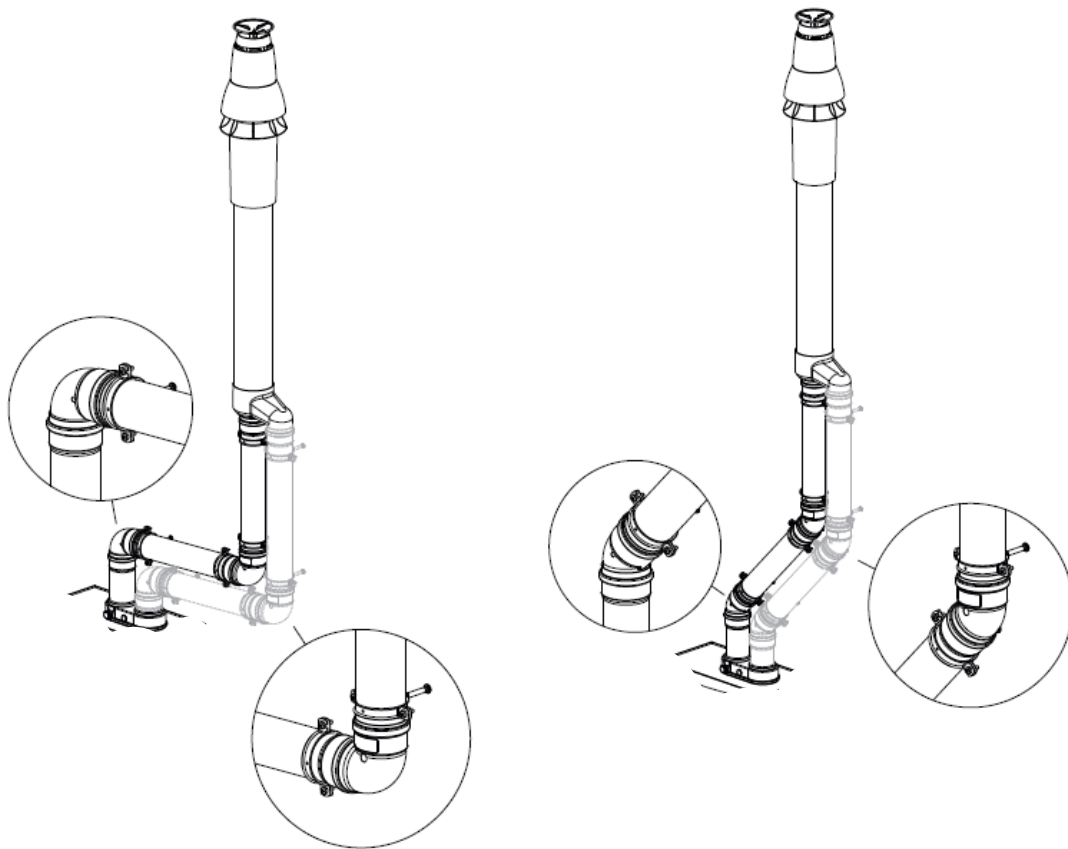
7



8



9





M&G Group®



DECLARATION OF PERFORMANCE

No. 001-MG-PP DoP

1. Unique identification code of the product-type:

M&G System Chimneys with plastic flue liner

EN 14471: 2013 + A1: 2015

PP sections, fittings, and terminals

0.1	(Dn 60-150)	(rigid, single)	(flue)	T120	H1	W 1/2	O30	LI	E	U
0.2	(Dn 60-100)	(rigid, single)	(flue)	T120	H1	W 1/2	O30	LE	E	U
0.2a	(Dn 80; Safe PP)	(rigid, single)	(flue)	T120	H1	W 1	O30	LI	E	U
0.3	(Dn 60/100-150/220)	(rigid, conc.)	(flue/air)	T120	H1	W 1/2	O00	LI/LE	E	U0
0.3a	(Dn 80/125-100/150)	(rigid, conc.)	(flue/air)	T120	P1	W 1/2	O00	LE	E	U0
0.4	(Dn 60-130)	(flex, double)	(flue)	T120	H1	W 1/2	O30	LI	E	U
0.6	(Dn 60/100-80/125)	(flex, conc.)	(flue/air)	T120	H1	W 1/2	O00	LI	E	U1
0.8	(Dn 200)	(rigid, single)	(flue)	T120	P1	W 1/2	O30	LI	E	U
A.1	(Dn 60/100-100/150)	(rigid, conc.)	(flue/air)	T120	H1	W 1	O00	LI/LE	E	U0

Plus manufacturer's batch or date code: see product marking

2. Intended use/es:

Products for the construction of single wall, multi-wall or concentric system chimneys to convey the products of combustion from heating appliances to the outside atmosphere. Systems 0.3, 0.3a, 0.6 and A.1 are also suitable to supply combustion air from the outside.

3. Manufacturer:

MUELINK & GROU B.V.
P.O. Box 509
9700 AM Groningen, the Netherlands
E: info@mg-flues.com

Burgerhout B.V.
P.O. Box 77
9400 AB Assen, the Netherlands
E: info@burgerhout.nl

4. Authorized representative:

Not applicable.

5. System/s AVCP:

System 2+.

6. Harmonized standard:

Notified factory production control certification body No. 0432 performed the initial inspection of the manufacturing plant and of factory production control and the continuous surveillance, assessment and evaluation of factory production control and issued the certificate of conformity of the factory production control.

7. Declared performance

	Essential Characteristics	Performance	Technical specification
1	Compressive strength		EN 14471: 2013 + A1: 2015
	System 0.1, 0.2, 0.2a, 0.3 and 0.3a	Max. height 50 m.	
	System 0.4	Max. height 18 m.	
	System 0.6	Max. height 15 m.	
	System 0.8	Max. height 30 m, or 50 m when bracketed every 2 m.	
	System A.1	Max. height 2m	
2	Resistance to fire (tested fully enclosed with ventilated gap if applicable)		
	System 0.1, 0.2, 0.2a, 0.4 and 0.8	T120 O30	
	System 0.3, 0.3a, 0.6 and A.1	T120 O00	
3	Gas tightness		
	System 0.1, 0.2, 0.2a, 0.3, 0.4, 0.6 and A.1	H1	
	System 0.3a and 0.8	P1	
4	Flow resistance	Flow resistances acc. to EN 13384-1, see datasheet.	
5	Thermal resistance	0.00 m ² k/W	
6	Thermal shock resistance	No (O)	
7	Flexural tensile strength		
	Non-vertical installation		
	System 0.1, 0.2, 0.2a, 0.3, 0.3a and 0.8	The maximum length of the horizontal part is not limited when bracketed every section. Maximum deflection 87°.	
	System 0.4 and 0.6	Shaft application, maximum deflection 60°.	
	System A.1	Not applicable, only for vertical use.	
	Wind load for external installation		
	System 0.2	Wall brackets should be used per chimney section. The height above the last bracket 0 m, see instructions.	
	System 0.2, 0.3 and 0.3a	Wall brackets should be used per chimney section. The height above the last bracket 1,5 m.	
	System 0.1, 0.2a, 0.4, 0.6 and 0.8	Not applicable, only for inside installation.	
	System A.1	Only in combination with corresponding metal outer wall. Maximum height 2 m, use guy-wires for lengths above 1 m.	
8	Resistance against condensation, water vapor diffusion and condensate penetration		
	All systems	Yes (W)	
9	Durability against corrosion		
	System 0.1, 0.2, 0.3, 0.3a, 0.4, 0.6 and 0.8	Class 1 (with EPDM seals) or Class 2 (with Viton seals)	
	System 0.2a and A.1	Class 1 (with EPDM seals)	
10	Durability against rainwater		
	System 0.2, 0.3, 0.3a and A.1	Yes, system 0.3 only with extra sealant, see instructions. System A.1 only with corresponding metal outer wall.	
	System 0.1, 0.2a, 0.4, 0.6 and 0.8	No, only for inside installation.	
11	Durability against UV		
	System 0.2	Yes (LE)	
	System 0.3, 0.3a and A.1	Yes (LE), metal outer wall	
	System 0.1, 0.2a, 0.4, 0.6 and 0.8	No (LI), only for inside installation.	
12	Freeze-thaw resistance	Yes	
13	Reaction to fire	Class E	EN 13501-1:2007+A1:2009
14	Dangerous substances	Does not contain dangerous substances.	Relevant national regulations

The performance of the product identified above is in conformity with the set of declared performance/s. This declaration of performance is issued, in accordance with Regulation (EU) No 305/2011, under the sole responsibility of the manufacturer identified above.

Signed for and on behalf of the manufacturer by:

Gezienus Hoving | Manufacturing Manager M&G Group Europe



Groningen (NL), 1 July 2018

DESCRIPTION DU SYSTÈME ET DU PRODUIT

Application système à paroi simple adapté à l'élimination des gaz de combustion et alimentation en air de combustion pour appareils de type B et C.

	Safe PP	Twinline	Twinline
Diamètre nominal des fumées	80	60, 80, 100, 130, 150	200
Résistance à la chaleur	0 m ² K/W		
La chute de pression	Zie nationale regelgeving of zie gegevens van de ketelfabrikant met betrekking tot maximale lengtes		
Poids	neem contact op met de producent		
matériau / épaisseur de paroi sortie des fumées	> 2 mm	> 2 mm	> 3 mm
Numéros de système et marquage CE	EN 14471:2013+A1:2015	EN 14471:2013+A1:2015	EN 14471:2013+A1:2015
	0.2a T120 HI WI 030 LI EU	0.1 T120 HI WI/2 030 LI EU 0.2 T120 HI WI/2 030 LE EU	0.8 T120 PI WI/2 030 LI EU
DoP nr.	001-MG-PP DoP	001-MG-PP DoP	001-MG-PP DoP
Classification Marquage CE			
Norm.	EN 14471:2013+A1:2015	EN 14471:2013+A1:2015	EN 14471:2013+A1:2015
Classe de température: T maximum en °C	120	120	120
Classe de pression: maximum	HI = surpression max. 5000 Pa	HI = surpression max. 5000 Pa	PI = surpression max. 5000 Pa
Résistance à la corrosion	W = nat	W = nat	W = nat
Classe de corrosion	I = gas	I = gas en 2 = olie	I = gas en 2 = olie
distance des matières inflammables: 0(xx) xx in mm	030	030	030
Force du vent	1 m., depuis le dernier support		
Résistance à la compression	Longueur verticale libre, 2 m. Lors de l'application de parenthèses à chaque connexion: longueur illimitée.		
Résistance à la flexion	1 m.	1 m.	1 m.
Substances dangereuses	N/A	N/A	N/A

Attention: Une application supplémentaire doit être vérifiée auprès du fabricant.

GÉNÉRAL

- Stockez le matériel à l'intérieur.
- Vérifiez les composants pour d'éventuels dommages.
- Combinez uniquement avec les composants des membres du groupe M&G.
- Installer conformément aux réglementations nationales.

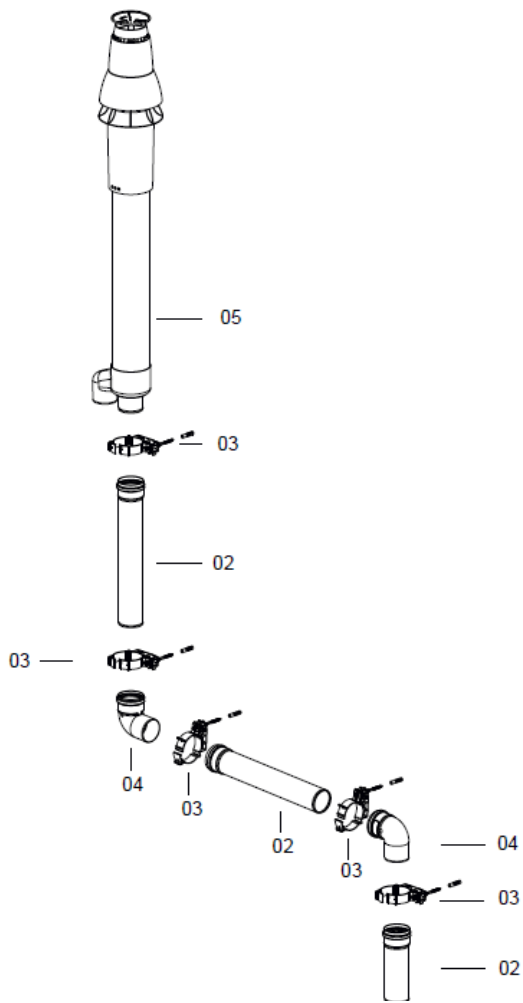
Remplissez l'étiquette de cheminée en option et placez-le à côté du raccordement de cheminée de l'unité.

NETTOYER

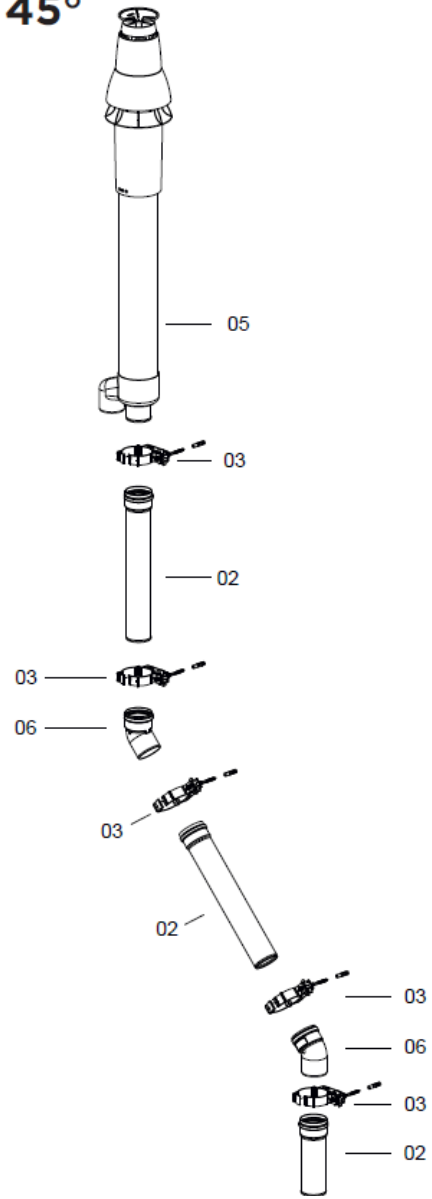
Enlevez la saleté de l'extérieur avec un chiffon imbibé d'eau et si nécessaire un peu de détergent. Nous nous réservons le droit de corriger les erreurs d'impression ou apporter des modifications techniques. En cas de doute, consultez toujours le service commercial pour obtenir des conseils.

90° & 45°

90°



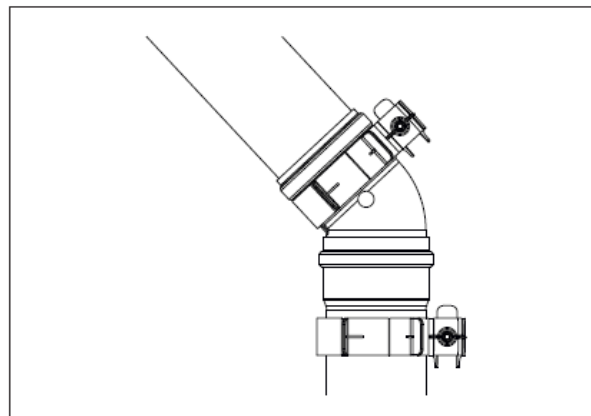
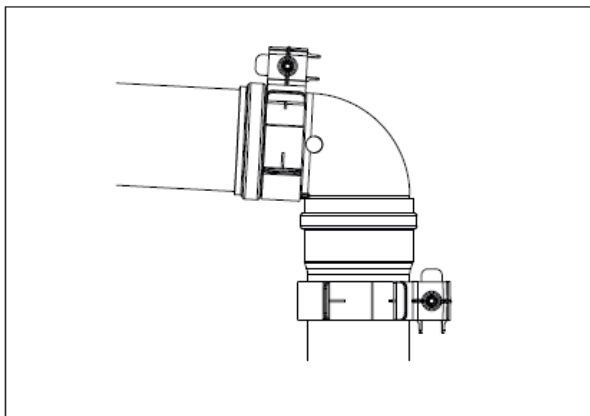
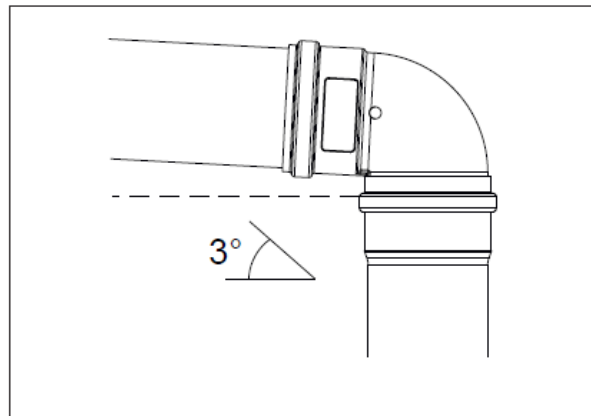
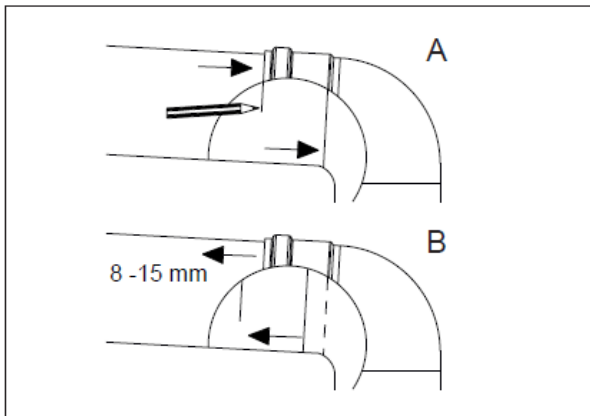
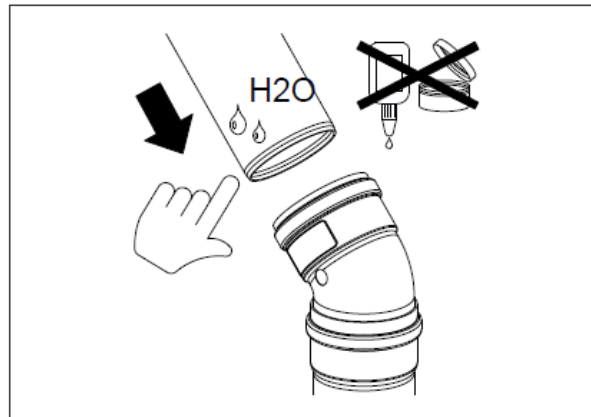
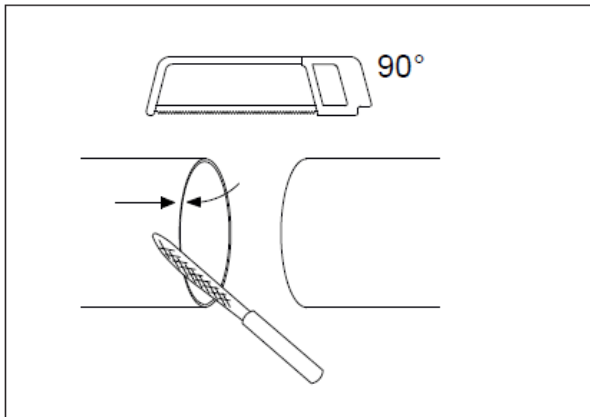
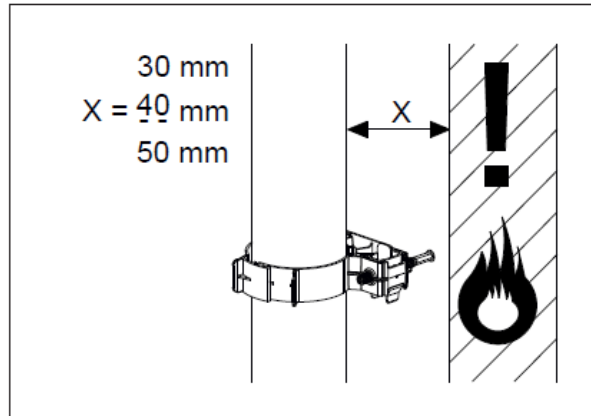
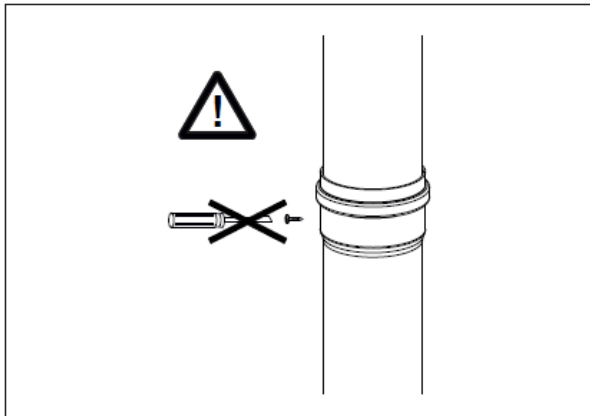
45°

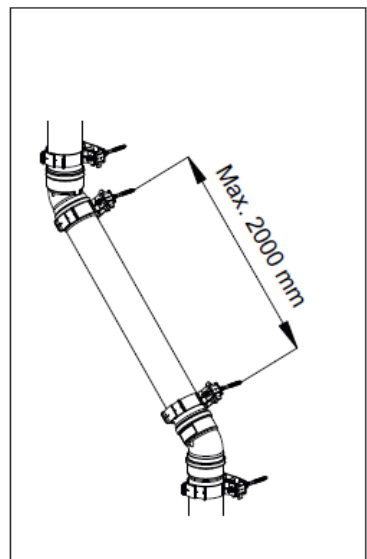
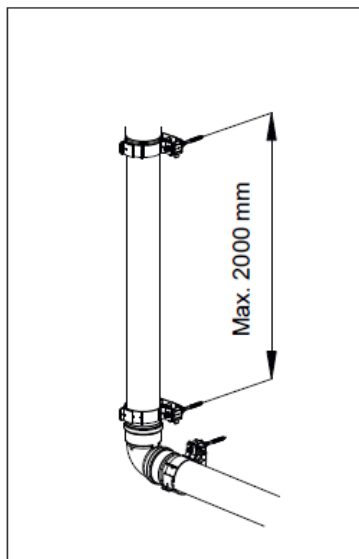
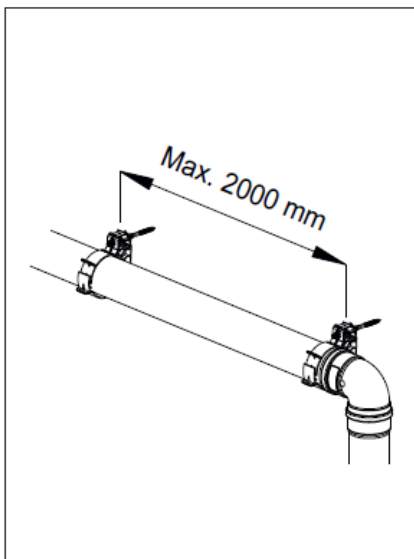
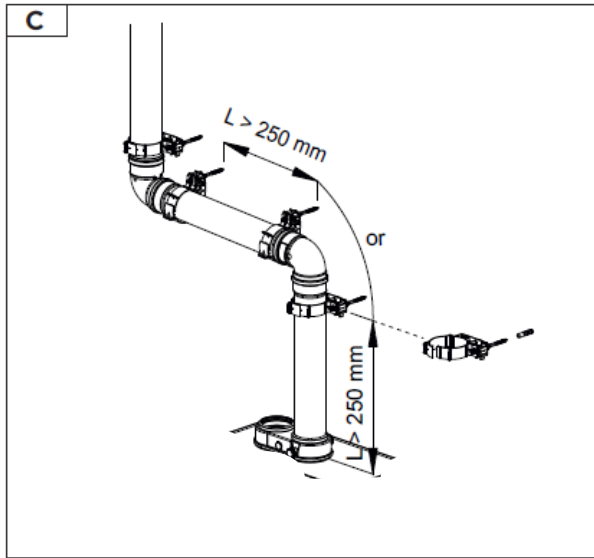
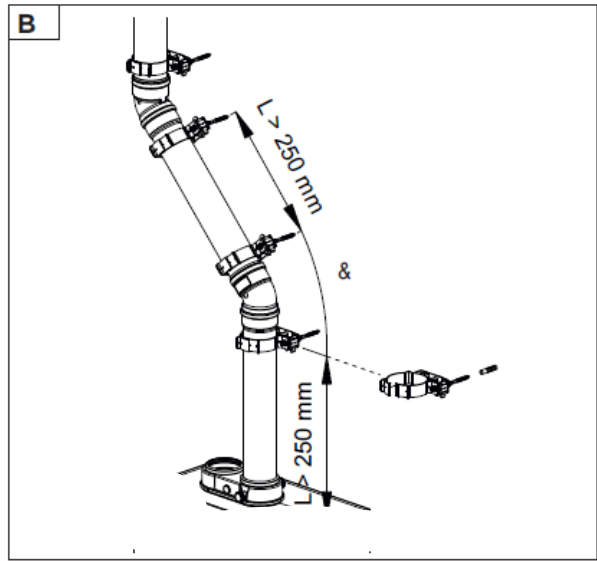
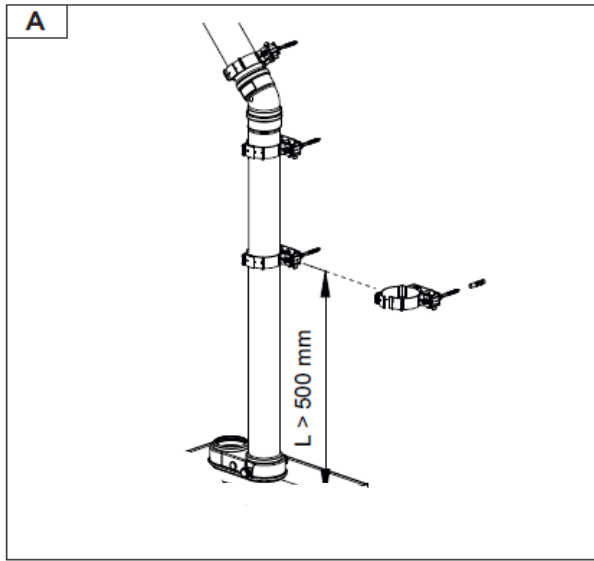


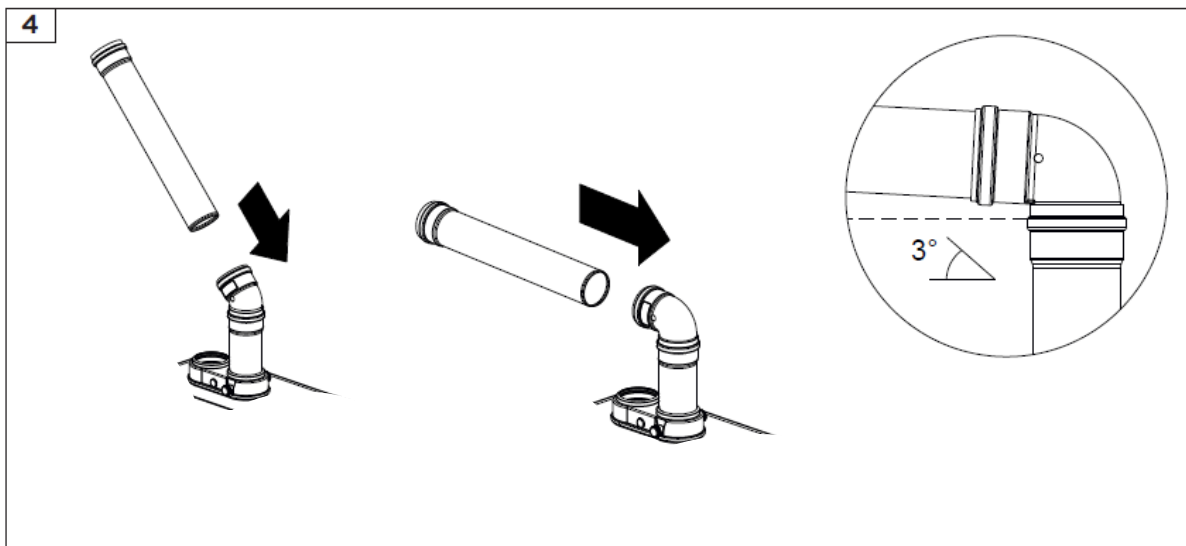
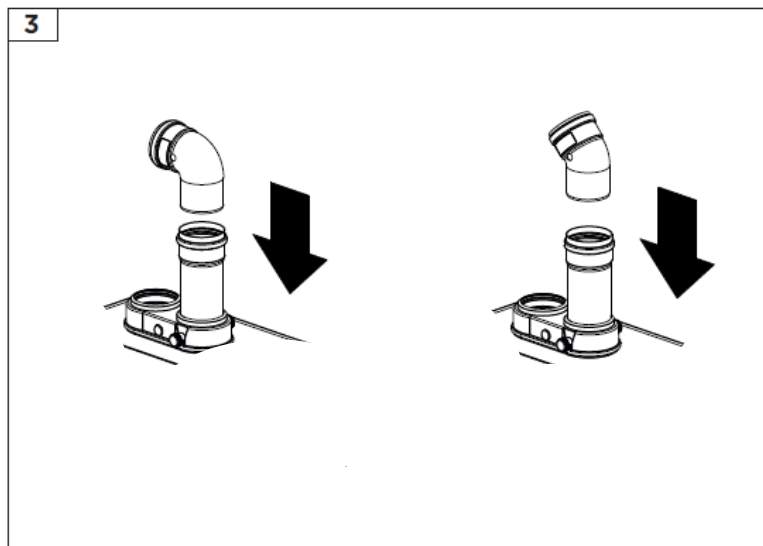
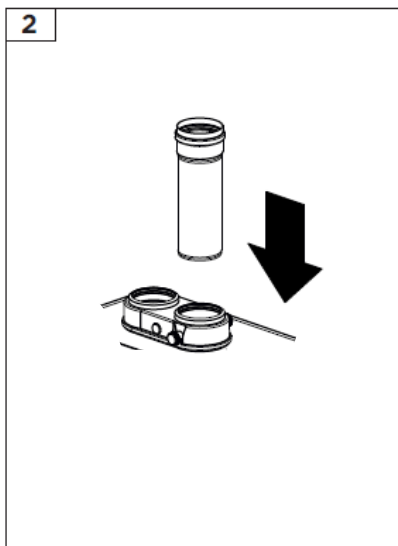
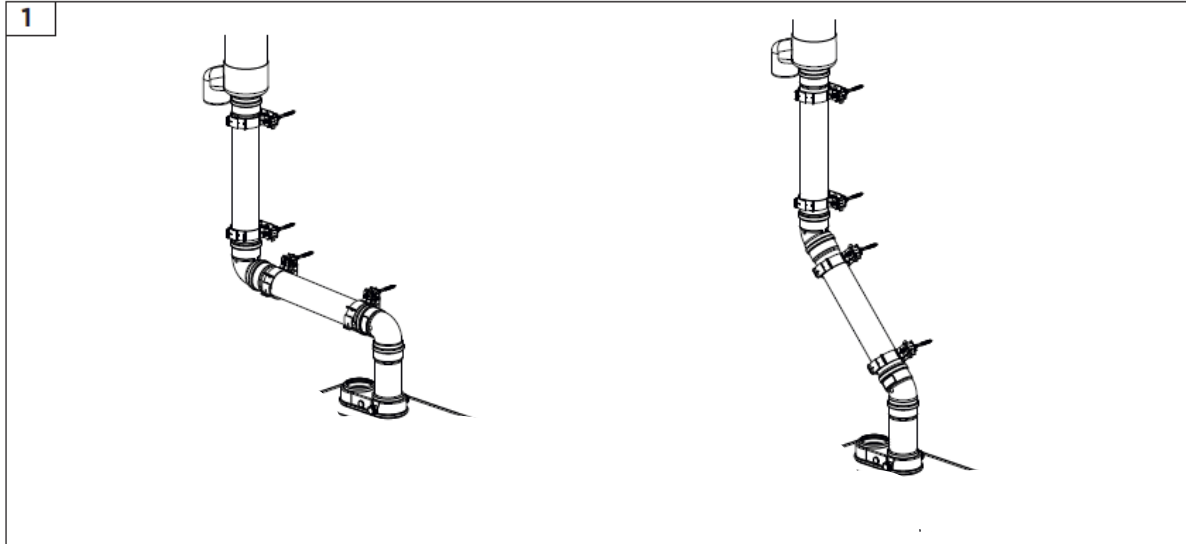
TX25

S13

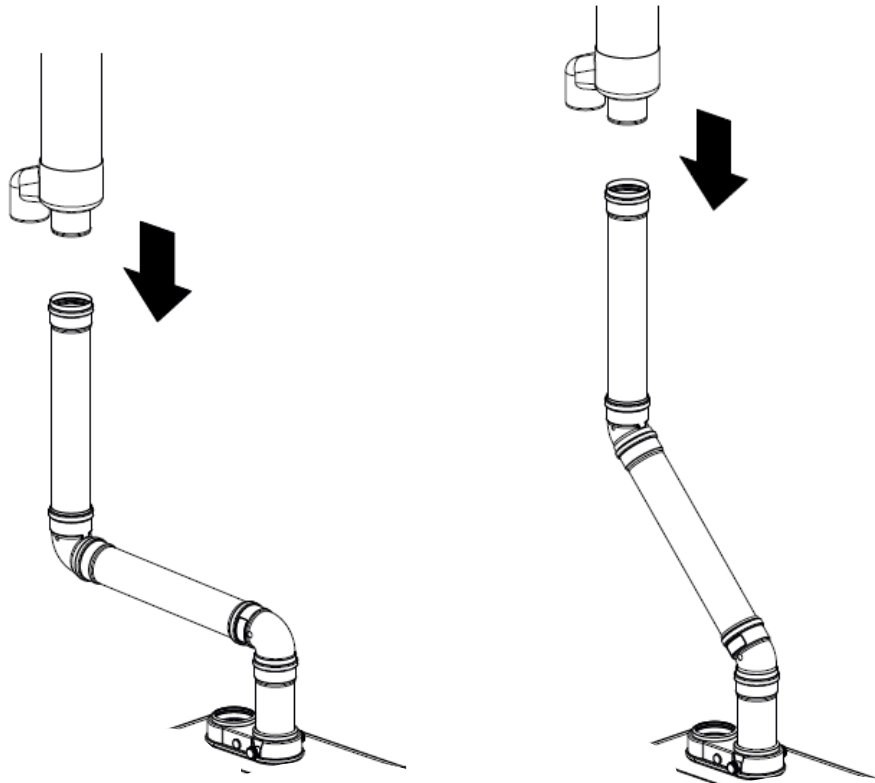
ø10 mm



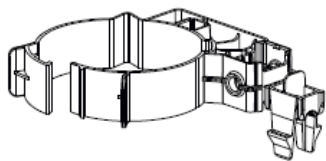




5



6



ø 80, 100 mm



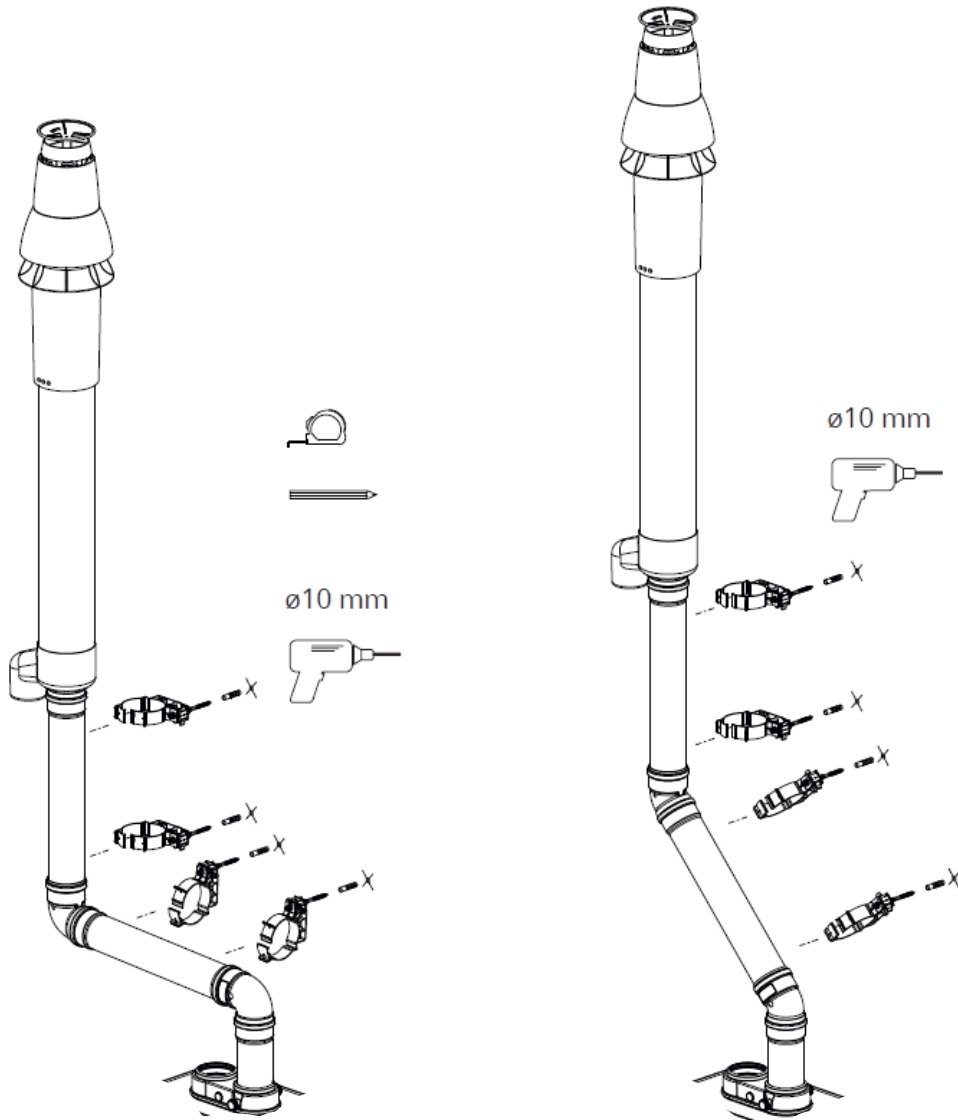
ø 60, 100 mm



ø 60, 80, 100,
130, 150, 200 mm



7



MARK BV

BENEDEN VERLAAT 87-89
VEENDAM (NEDERLAND)
POSTBUS 13, 9640 AA VEENDAM
TELEFOON +31(0)598 656600
FAX +31 (0)598 624584
info@mark.nl
www.mark.nl

MARK EIRE BV

COOLEA, MACROOM
CO. CORK
P12 W660 (IRELAND)
PHONE +353 (0)26 45334
FAX +353 (0)26 45383
sales@markeire.com
www.markeire.com

MARK BELGIUM b.v.b.a.

ENERGIELAAN 12
2950 KAPellen
(BELGIË/BELGIQUE)
TELEFOON +32 (0)3 6669254
info@markbelgium.be
www.markbelgium.be

MARK DEUTSCHLAND GmbH

MAX-PLANCK-STRASSE 16
46446 EMMERICH AM RHEIN
(DEUTSCHLAND)
TELEFON +49 (0)2822 97728-0
TELEFAX +49 (0)2822 97728-10
info@mark.de
www.mark.de

MARK POLSKA Sp. z o.o

UL. JASNOGÓRSKA 27
42-202 CZĘSTOCHOWA (POLSKA)
PHONE +48 34 3683443
FAX +48 34 3683553
info@markpolska.pl
www.markpolska.pl

MARK SRL ROMANIA

STR. BANEASA NO 8 (VIA STR. LIBERTATII)
540199 TÂRGU-MURES, JUD MURES
(ROMANIA)
TEL/FAX +40 (0)265-266.332
office@markromania.ro
www.markromania.ro

